

Name : _____

Score : _____

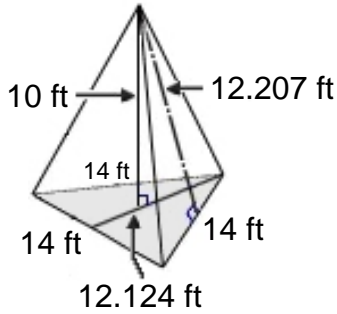
Teacher : _____

Date : _____

Surface Area of Prisms and Pyramids

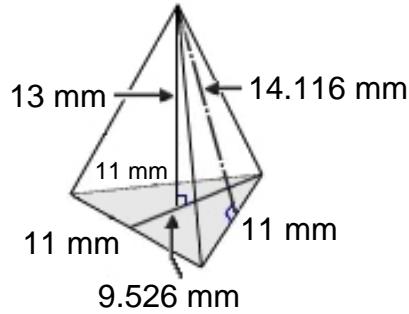
Find the surface area of each figure. Round answers to the nearest hundredth, if necessary.

1)



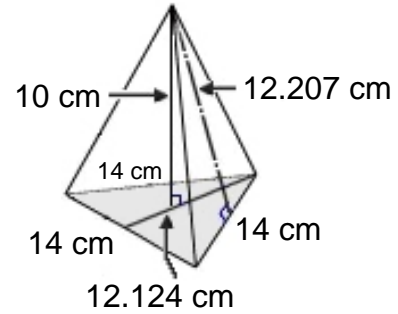
Surface Area: _____

2)



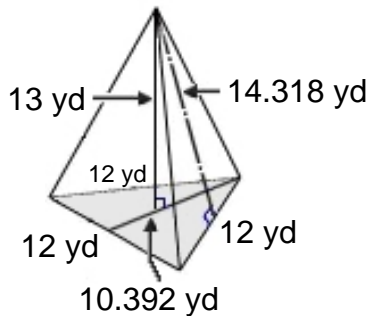
Surface Area: _____

3)



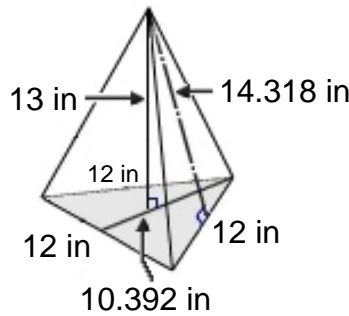
Surface Area: _____

4)



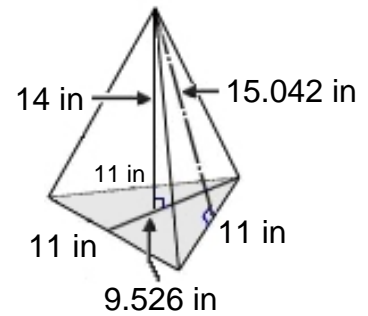
Surface Area: _____

5)



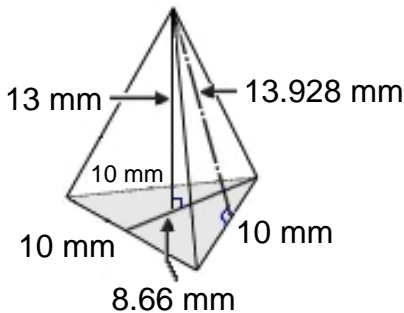
Surface Area: _____

6)



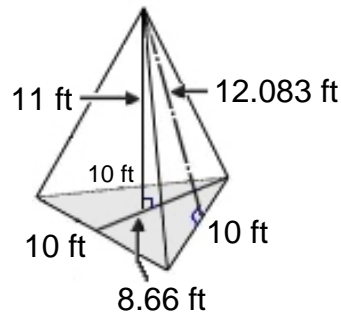
Surface Area: _____

7)



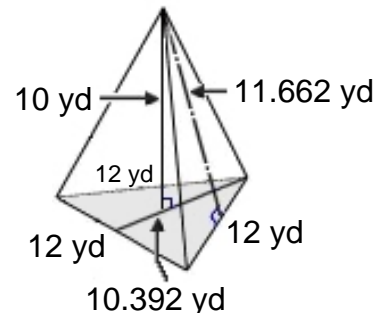
Surface Area: _____

8)



Surface Area: _____

9)



Surface Area: _____



Name : _____

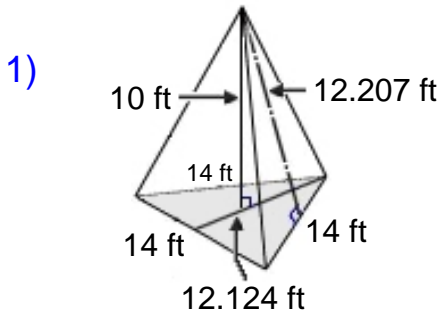
Score : _____

Teacher : _____

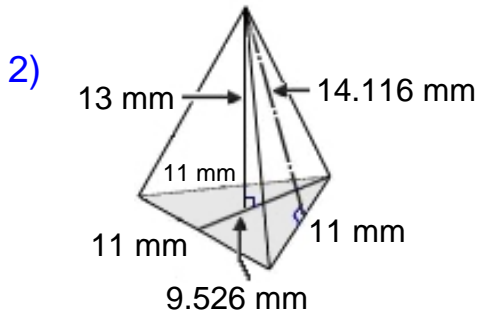
Date : _____

Surface Area of Prisms and Pyramids

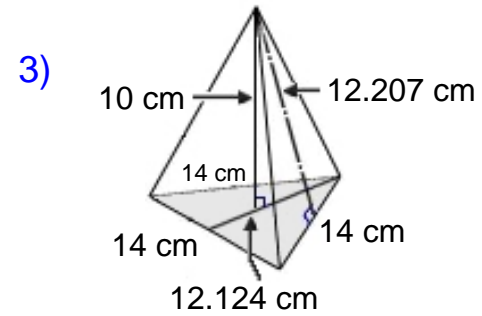
Find the surface area of each figure. Round answers to the nearest hundredth, if necessary.



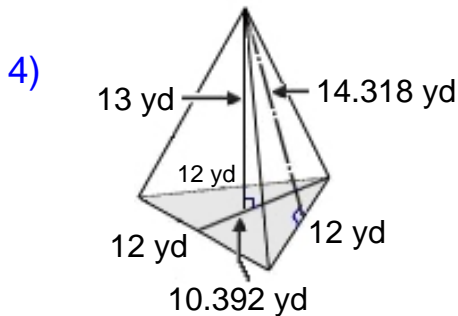
Surface Area: 341.22 ft²



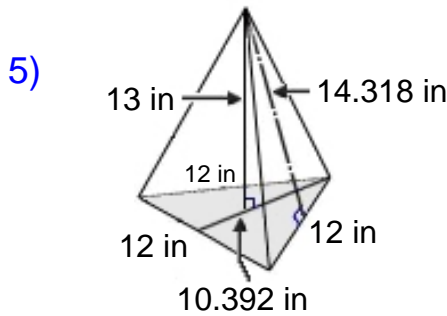
Surface Area: 285.31 mm²



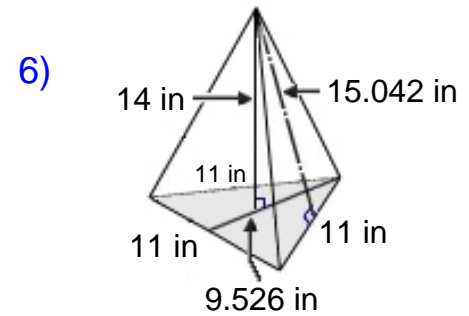
Surface Area: 341.22 cm²



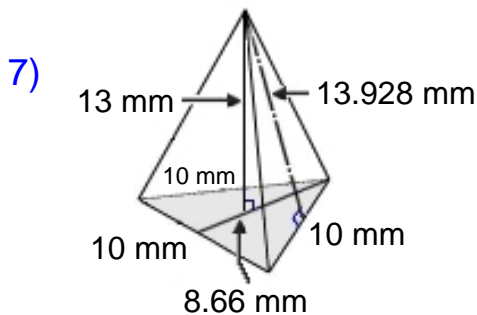
Surface Area: 320.08 yd²



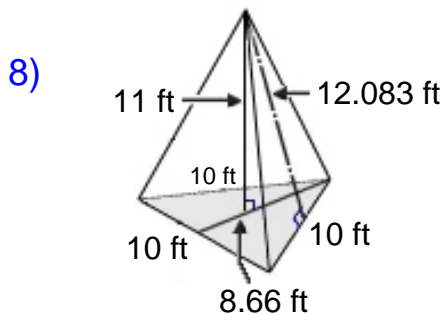
Surface Area: 320.08 in²



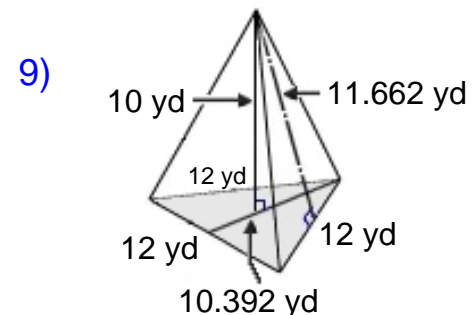
Surface Area: 300.59 in²



Surface Area: 252.22 mm²



Surface Area: 224.55 ft²



Surface Area: 272.27 yd²

